

DESCRIPTION

The LCD provides a large, .98", 3-1/2 digit black, green, red or blue display. The LED provides a large, .8", 3-1/2 digit, green or red display.

LCD FEATURES

- Decimal point user selectable
- Eng. units user selectable
- Snap-in panel mounting
- Large .98" digits for easy viewing

LED FEATURES

- Decimal point user selectable
- Snap-in panel mounting
- Large .8" digits for easy viewing

ALL MODELS

- Gasket and clamp provided for optional NEMA applications



Specifications:

Display:		
Digits:	3 1/2 Digits (± 1999 counts)	
Type:	0.98" (24.9 mm) LCD	
	0.8" (20.3 mm) LED	
Polarity:	Automatic, "-" Displayed.	
Decimal Points:	3 Position, User Selectable	
Overload:	Three lower order digits blank for inputs >1999 & <-1999	
Hold:	Display Hold Function is Standard	
Annunciators:	PSI, PSI, °F, °C, % (user selected, LCD only)	
Inputs:		
Ranges:	± 200.0 mV, ± 2.000 V, ± 20.00 V DC, 4-20mA	
Configuration:	Bipolar, Differential	
Protection:	± 350 V DC, (± 100 V DC on 200mV Range)	
Impedance:	>1 Megohm, (>10 Megohm on 200mV Range)	
Performance:		
Accuracy:	$\pm (0.05\% \text{ FS} + 1 \text{ counts})$	
Conversion Rate:	3 per Second	
Normal Mode Rejection:	>30 db @ 60 Hz	
Common Mode Range:	± 1 V DC	
Common Mode Rej.:	>86 dB	
Zero Adjustment:	Automatic	
Warmup:	10 Minutes Typical	
Temperature Coeff.:	± 100 ppm per °C Typical	
Environment:		
Operating Range:	-10 to 50 °C	
Storage Range:	-40 to 75 °C	
Power Supply:		
Voltage input units:	$+5$ V DC (180mA LED, 3mA LCD)	
DK807:	powered by mA control loop	
DK757, DK857, DK957:	$+24$ V DC (40mA)	
Mounting:		
	Snap-In Panel Mount	
Connection:		
	4 screw terminal (4-20mA)	
	13 pin male connection (voltage)	
	13 pin connector/wiring harness included	

ORDERING INFORMATION

MODEL	DESCRIPTION
DK757B	4-20mA loop powered LCD, 24V BLUE NEG. B/L
DK801A	200mV input LCD
DK802A	2V input LCD
DK803A	20V input LCD
DK807A	4-20mA loop powered LCD
DK851A	200mV input - RED LED
DK852A	2V input - RED LED
DK853A	20V input - RED LED
DK857B	4-20mA loop powered LCD, 24V RED NEG. B/L
DK857A	4-20mA loop controlled - RED LED
DK951A	200mV input - GREEN LED
DK952A	2V input - GREEN LED
DK953A	20V input - GREEN LED
DK957A	4-20mA loop controlled - GREEN LED
DK957B	4-20mA loop powered LCD, 24V GREEN NEG. B/L



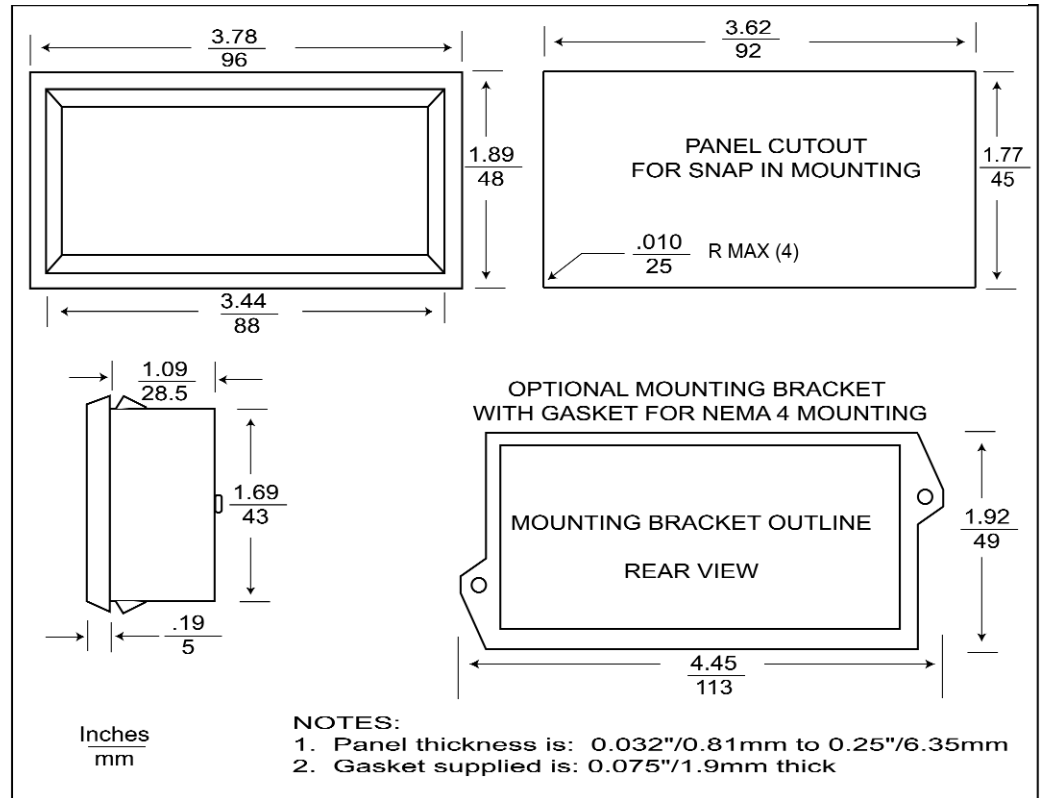
Cutout

WIRING

Pin

- 1 +5V
- 2 Neg. Supply
- 3 INHI
- 4 INLO
- 5 Dec. common
- 6 Dec. 000.0 when connected to decimal common
- 7 Dec. 00.00 when connected to decimal common
- 8 Dec. 0.000 when connected to decimal common
- 9 No connection
- 10 No connection
- 11 Signal Hold when connected to decimal common (LED) or +5V (LCD)
- 12 No connection
- 13 No connection

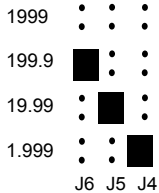
*Note: Pins 2 & 4 should be tied together for proper operation



4 - 20mA Wiring

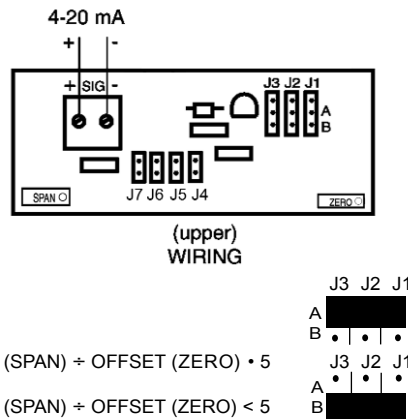
DK807

1. DECIMAL SELECTION:



2. J1, J2, J3 SELECTION:

- IF:** OFFSET (ZERO) IS $\cdot 0$ or
 OFFSET (ZERO) > 0 and GAIN (SPAN) \div OFFSET (ZERO) $\cdot 5$
- IF:** OFFSET (ZERO) > 0 and GAIN (SPAN) \div OFFSET (ZERO) < 5



DK757B, DK857A, DK857B, DK957A, DK957B

